

10 9 8 7 6 5 4 3 2 1

F

E

D

C

B

A

F

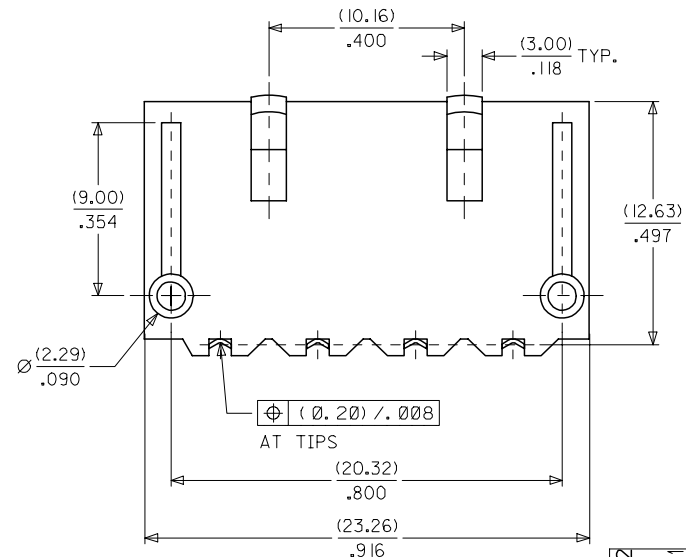
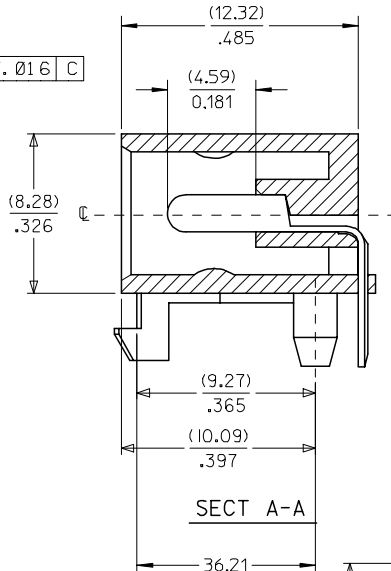
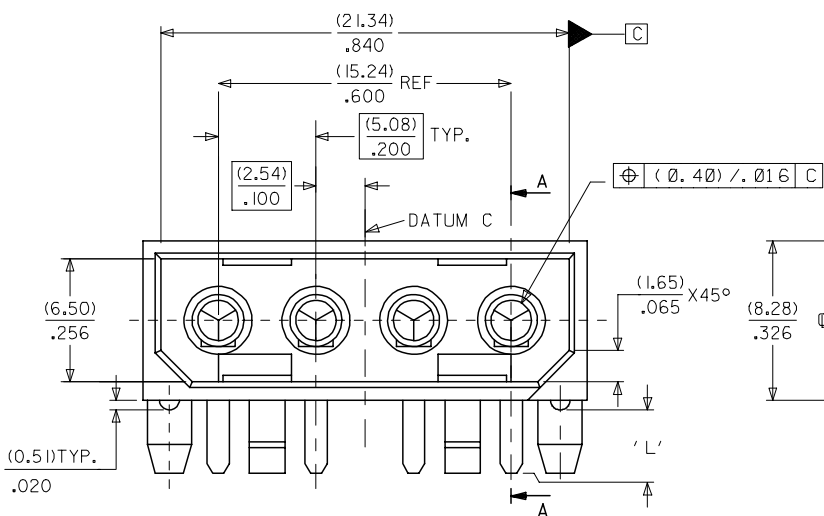
E

D

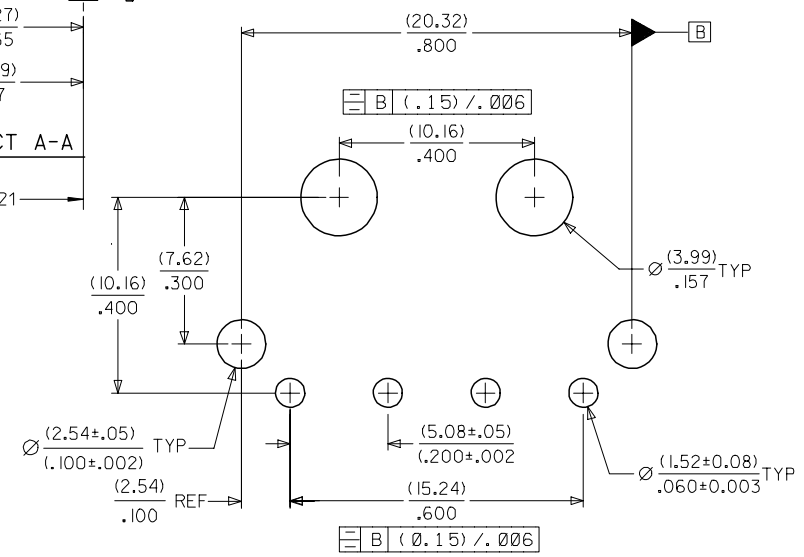
C

B

A



- NOTES:
- 1) MATERIAL
HOUSING - NYLON 6/6, UNFILLED, UL94V-2, COLOR: BEIGE
TERMINAL - PHOSPHOR BRONZE
PLATING - POSTPLATE (0.00254) / .000100 MIN.
TIN OVER (0.00127) / .000050 MIN.
NICKEL OVERALL.
 - 2) PART INTENDED TO MATE WITH HOUSING 8981-4P AND TERMINAL 8980-3*
 - 3) PRODUCT SPEC PS-8981-4V* APPLIES.



RECOMMENDED P.C. BOARD LAYOUT (TOL. +/- (.13) / .005)

TO CORRECT DIM 12.32	EC NO: S2007-0065	2006/07/21
	DRWN: GVENARLY	2006/07/28
	CHKD: M LONG	2006/07/28
	APPR: SKTOH	2006/07/28
REV	DESCRIPTION	
C1		

QUALITY SYMBOLS	GENERAL TOLERANCES (UNLESS SPECIFIED)	
	mm	INCH
▽=0	4 PLACES ±---	±---
▽=0	3 PLACES ±---	±.008
	2 PLACES ±0.20	±---
	1 PLACE ±---	±---
	ANGULAR ± 3°	
	DRAFT WHERE APPLICABLE MUST REMAIN WITHIN DIMENSIONS	

DIMENSION STYLE		SCALE	DESIGN UNITS	THIRD ANGLE PROJECTION
MM/IN		NTS	INCH	☉
DRAWN BY	DATE	TITLE		
GRX IE	2001/05/02	HEADER, 4 CKTS RIGHT ANGLE MOUNT		
CHECKED BY	DATE	MOLEX INCORPORATED		
KCL ING	2001/05/02			
APPROVED BY	DATE	MATERIAL NO. 15-24-4441		
SKTOH	2001/05/03	DOCUMENT NO. SD-8981-4R1		
SIZE A3		SHEET NO. 1 OF 1		
THIS DRAWING CONTAINS INFORMATION THAT IS PROPRIETARY TO MOLEX INCORPORATED AND SHOULD NOT BE USED WITHOUT WRITTEN PERMISSION				

MAT'L NO.	ENG. NO.	'L'
A-8981-4R-1-LF	15-24-4441	(3.56) / .140

9 8 7 6 5 4 3 2 1